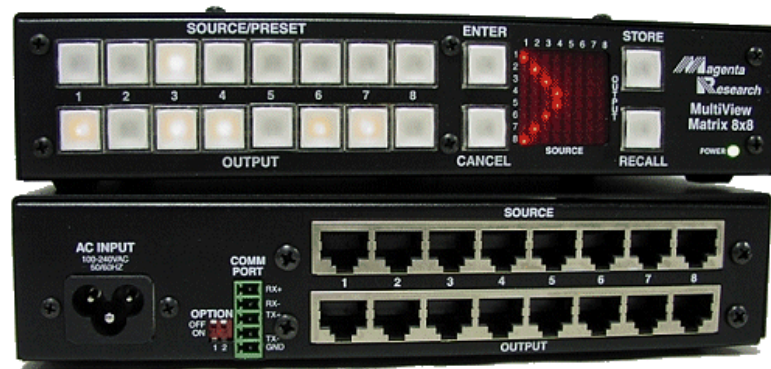


MultiView Matrix 8x8 CAT5 Video Switch



This is the latest breakthrough in CAT5 technology from the CAT5 experts at Magenta Research. **MultiView Matrix 8x8** combines our high performance **MultiView** video (UXGA) over CAT5 signal delivery and distribution with a full matrix routing switch.

Features:

- ◆ CAT5 RJ45 inputs and outputs -- only 16 cables maximum!
- ◆ Front panel lighted push buttons and serial control options included
- ◆ 8 programmable presets can be used to instantly switch to a predetermined configuration
- ◆ Unique LED matrix display shows at a glance which inputs are connected to which outputs
- ◆ Super small size (8.12" W x 6.5" D x 1.75" H) can fit anywhere
- ◆ Optional rack-mount kit available

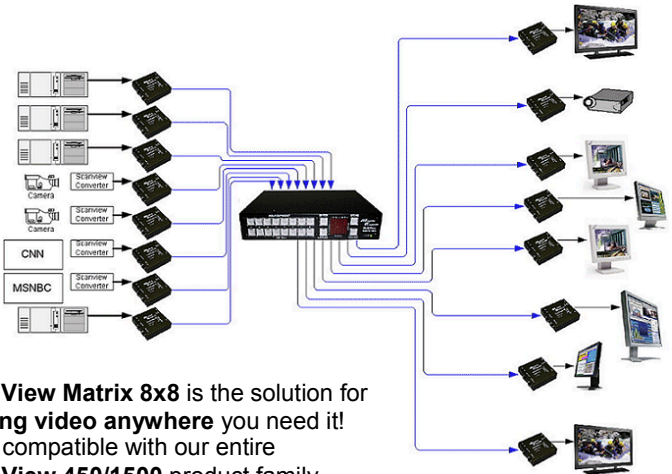
Benefits:

- ◆ Serially controllable via RS232, RS422, and RS485
- ◆ Compatible with industry standard control systems as well as with serial control from a PC
- ◆ Allows for CAT5 runs from source to display, even in "switched" environments
- ◆ Replaces the need for costly, bulky, heavy RGBHV, BNC or RCA cabling
- ◆ Fully compatible with the entire MultiView Transmitter and Receiver Product Family

The Magenta Research MultiView Product Family is the industry's only complete 'system solution' for the delivery and distribution of video (from NTSC to UXGA), serial data and audio over CAT5/5e/6 twisted pair cables. The unique 'building block' approach of MultiView allows support of applications ranging from point-to-point through distribution to hundreds, including sophisticated switched environments. Multiple models of Transmitters, Receivers and distribution options transport UXGA video up to 1500', all on inexpensive, easy to pull and terminate twisted-pair cable.

CAT5 VIDEO DISTRIBUTION SOLUTIONS

MultiView Matrix 8x8 Crosspoint CAT5 Switch



MultiView Matrix 8x8 is the solution for **routing video anywhere** you need it!
Fully compatible with our entire **MultiView 450/1500** product family

MultiView Matrix 8x8 Specifications:

Video transport: (via MultiView 450/1500 Transmitters/Receivers):
UXGA, RGBHV, RGB, Component, Y/C, NTSC, PAL (model dependent)

Audio transport: (via MultiView 450/1500 Transmitters/Receivers):
Line-level combined L&R or SPDIF

Serial data transport: (via MultiView 450/1500 Transmitters/Receivers):
Uni-directional RS232, DC to 19.2k baud (model dependent)

Resolution (via MultiView 450/1500 Transmitters/Receivers):
2048 x 1538 @ 75Hz

Switch control:
Serial control port: RS232, RS422, RS485 captive screw connector
Baud rate: 9600, 8 bit, 1 stop bit, no parity
Front panel push buttons

Power:
90-240 VAC @ 50/60 Hz, internal, auto switchable

Mechanical:
Dimensions: 8.12" W x 6.5" D x 1.75" H
Weight: 2.6 lb
Enclosure: Metal

Environmental:
Operating: 0 to 40C
Storage: -20 to 60C
Humidity: 80% non-condensing
MTBF: 100,000 hrs

Rack mount options available

Approvals:
CE, FCC

MultiView Matrix works with all MultiView 450/1500 Transmitter and Receiver versions.

- Point-to-Point UXGA Video
- Point-to-Point UXGA Video and Analog or SPDIF Audio
- Point-to-Point UXGA Video and Serial Data

Also Available

- Point-to-Point Composite Video and Stereo Audio
- Point-to-Point Composite Video, Stereo Audio, and IR remote control
- Point-to-Point Video and SPDIF Audio

Distribution Options:

- Multi-Port Transmitters
- Daisy Chain Receivers

